



GAS & SPECIALTY SENSORS

TOXIC AND COMBUSTIBLE GAS SWITCHES

CM-E1, GD-2B, HD-11

DESCRIPTION

The **Macurco™ Toxic and combustible switches** are wall mounted, low voltage, relay detector switches. It is an electronic detection system used to measure various gases to switch at a high limit which can be wired to fans, damper actuators and etc. Model **CM-E1** measures CO, Model **GD-2B** measures Methane and Propane and Model **HD-11** measure Hydrogen.

GAS DETECTION
Macurco

AERIONICS



FEATURES

- **Buzzer (CM-E1 model)**
- **Mounts on 2 x 4 electrical box**



CM-E1



HD-11



7

GAS & SPECIALTY SENSORS

SPECIFICATIONS

Supply Voltage		GD-2B/HD-11	32° to 120°F (0° to 48.9°C)
CM-E1	9-32 VDC @ 35 mA	Operating Humidity	10 to 90%, non-condensing
GD-2B/HD-11	12-24 VAC @ 2 VA; 12-24 VDC @ 35 mA	Enclosure Rating	NEMA 1
Range		Dimensions	
CM-E1	70 ppm CO (15 ppm DIF)	CM-E1/GD-2B	5.1" H x 3.1" W x 1.5" D (13 x 7.9 x 3.8 cm)
GD-2B	25% L.E.L. Methane and Propane	HD-11	4.51" H x 5.0" W x 1.6" D (11.4 x 12.7 x 4.1 cm)
HD-11	10% L.E.L. H ₂	Weight	
Relay	(1) Alarm, SPST, 40 VDC @ 100 mA (1) Trouble, SPST, 40 VDC @ 100 mA	CM-E1/GD-2B	1.0 lb (0.45 Kg)
Buzzer	(CM-E1 & GD-2B only) 85 db @ 10 feet	HD-11	0.54 lb (0.25 Kg)
Operating Temperature		Approvals	ETL
CM-E1	40° to 100°F (4.4° to 37.8°C)	Warranty	2 year

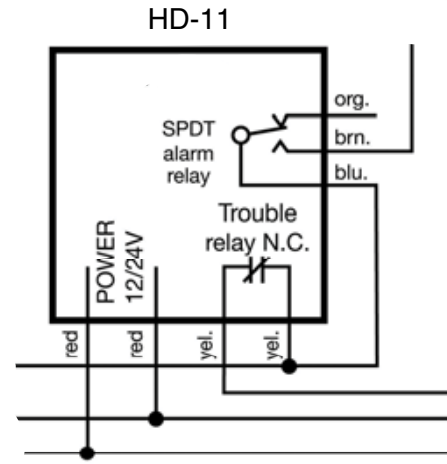
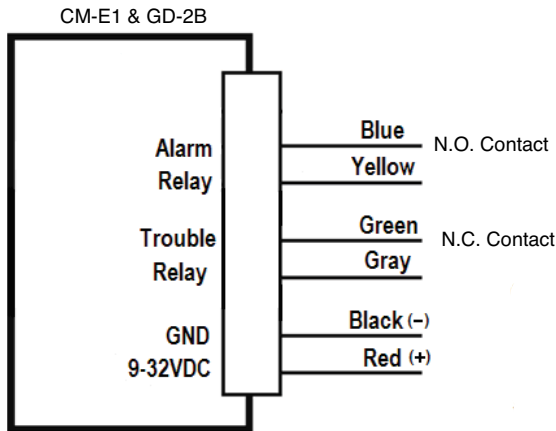
GAS & SPECIALTY SENSORS

TOXIC AND COMBUSTIBLE GAS SWITCHES

CM-E1, GD-2B, HD-11



WIRING



ORDERING INFORMATION

MODEL	DESCRIPTION
CM-E1	Wall mounted CO single gas switch
GD-2B	Wall mounted Combustible (methane, propane) single gas switch
HD-11	Wall mounted Hydrogen single gas switch

RELATED PRODUCTS	
DCPA-1.2	Power supply, 120 VAC IN to 24 VAC/24 VDC OUT
691-K0A	Control transformer, 120:24 VAC, 40 VA, Class 2
DCP-1.5-W	Power supply, 24 VAC IN to 24 VDC OUT

7

GAS & SPECIALTY SENSORS